



ARS33-M060.23 K3S15

Manual tool change

Item no. **15201043**

HF-Spindle for dressing of grinding wheels

Bearings

Steel ball bearing (pcs)	2
Lifetime lubricated	maintenance free

Motor

Motor technology	3-phase asynchronous drive (no brushes or sensors)
Frequency	1.000 Hz
Motor poles (pairs)	1
Rated rotation speed	60.000 rpm
Acceleration/braking value Per second	10 000 rpm (other values by consultation)

Power values

Spindle holder cooled

	Pmax./5s	S6-60%	S1-100%	
Rated power	0,55	0,5	0,43	[kW]
Torque	0,1014	0,0931	0,0817	[Nm]
Voltage	57	57	57	[V]
Current	10	9,4	8,6	[A]

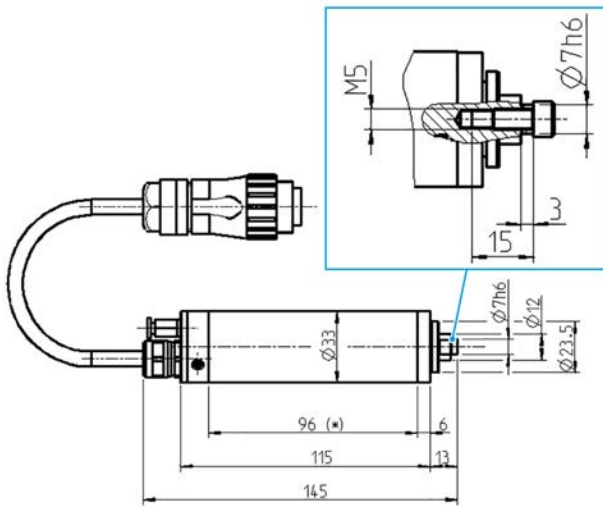
Power values

Uncooled

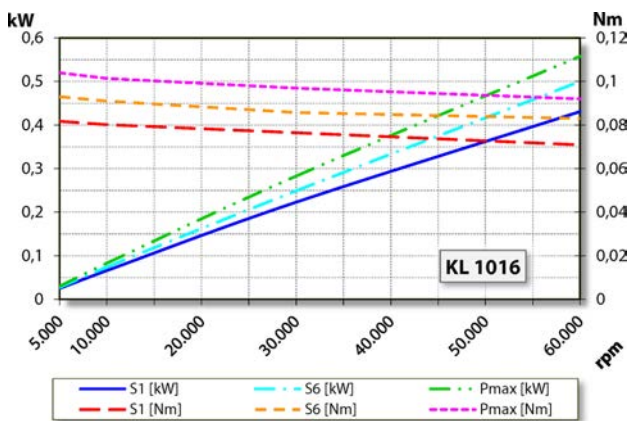
	Pmax./5s	S6-60%	S1-100%	
Rated power	0,4	0,34	0,25	[kW]
Torque	0,08	0,075	0,06	[Nm]
Voltage	47	47	44	[V]
Current	8,2	7,8	8,1	[A]

ARS33-M060.23 K3S15

Manual tool change
Item no. 15201043

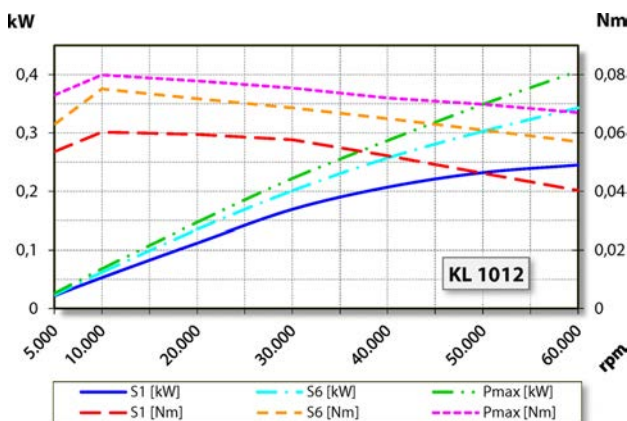


Dimensions



Performance Diagram

Spindle holder cooled



Performance Diagram

Uncooled

Measurement of power is funded by in-house testing.

Characteristics

Housing	Aluminium
Housing diameter	33 mm
Cooling	Uncooled
Heat dissipation	Via the spindle holder
Housing temperature	< + 45° C
Ambient temperature	+ 10°C ... + 45°C
Sealing air	
Protection category (sealing air turned on)	IP54
Tool change	Manual tool change
Tool Holder	Grinding wheel maximum dia. 18 mm maximum t = 4 - 6 mm
Clamping range	Ø 7h6 - M5
Clockwise	
Coupler plug	7-pin (Amphenol C16-1) Cable length 3 m
Weight	~ 0,65 kg
Axial run-out of mounting surface	< 1 µ